



**RE·BAR·TIER™**

# RB441T

## Re-Bar Twin Tier



## OPERATING & MAINTENANCE MANUAL



**WARNING**

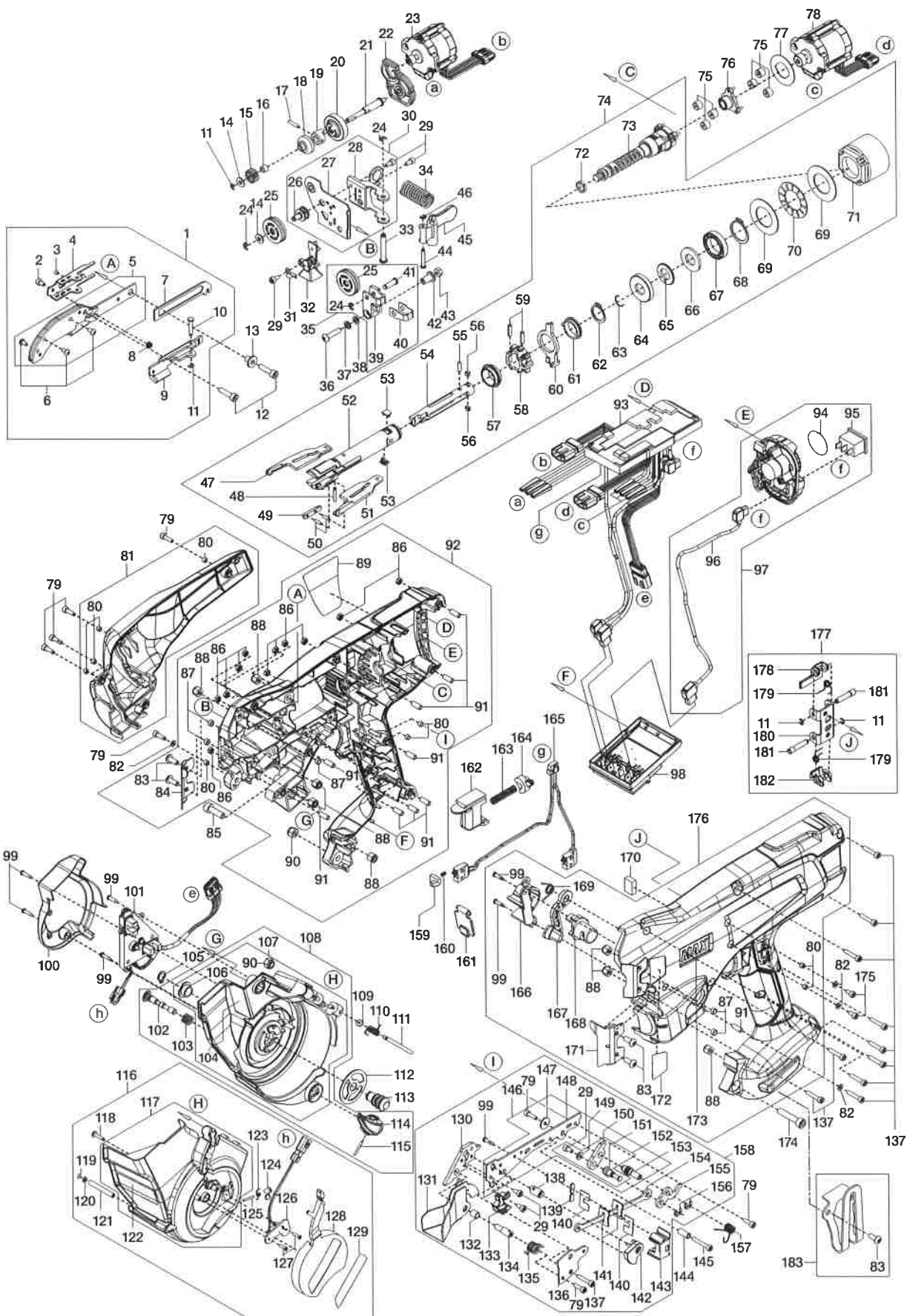
BEFORE USING THIS TOOL, STUDY THIS MANUAL TO ENSURE SAFETY WARNING AND INSTRUCTIONS.

KEEP THESE INSTRUCTIONS WITH THE TOOL FOR FUTURE REFERENCE.

JUNE 2018

# RB441T

## EXPLODED VIEW AND SPARE PARTS LIST



# Parts List of MAX RB441T TwinTier

| Part No | Part Code | Description             | Part No | Part Code | Description                      | Part No | Part Code | Description             |
|---------|-----------|-------------------------|---------|-----------|----------------------------------|---------|-----------|-------------------------|
| 1       | RB70618   | ARM A ASSY              | 65      | RB12619   | BUMPER                           | 129     | RB12688   | 441T LABEL              |
| 2       | BB40481   | BOLT 3X5                | 66      | EE39859   | WASHER 11.1X23.4X2               | 130     | RB12639   | CURL GUIDE B            |
| 3       | AA71408   | SCREW 3 X 3             | 67      | LL11756   | BEARING 6803ZZ                   | 131     | RB70624   | CURL GUIDE A UNIT       |
| 4       | RB12633   | WIRE GUIDE BASE         | 68      | JJ21603   | C-RING 20                        | 132     | FF51712   | HOLLOW PIN 1712         |
| 5       | RB81278   | ARM A UNIT              | 69      | EE39865   | WASHER 20X35X1                   | 133     | RB70666   | WIRE GUIDE B UNIT       |
| 6       | BB41714   | BOLT 3X5 SG             | 70      | LL41003   | THRUST BEARING AXK1104           | 134     | RB12641   | CURL GUIDE SHAFT        |
| 7       | RB12636   | WIRE GUIDE LEVER        | 71      | RB12620   | INTERNAL GEAR                    | 135     | KK34096   | TORSION SPRING 4096     |
| 8       | KK29117   | COMPRESSION SPRING 9117 | 72      | RB12720   | D RING                           | 136     | RB12644   | ARM C                   |
| 9       | RB70620   | WIRE GUIDE UNIT         | 73      | RB70699   | TIP AXIS A UNIT                  | 137     | BB40810   | BOLT 3X16               |
| 10      | FF41865   | STEP PIN 1865           | 74      | RB70613   | TWIST ASSY                       | 138     | RB12642   | FIXED CUTTER            |
| 11      | JJ10113   | E-RING 2.5              | 75      | RB12622   | PLANETARY GEAR                   | 139     | RB12723   | CON-ROD GUIDE B         |
| 12      | BB40420   | BOLT 4 X 16             | 76      | RB70642   | SUN GEAR UNIT                    | 140     | RB12721   | CON-ROD COVER           |
| 13      | FF52115   | HOLLOW PIN 2115         | 77      | RB12623   | WASHER, TWIST AXIS               | 141     | RB12722   | CON-ROD GUIDE A         |
| 14      | EE39861   | WASHER 4.3X9X1          | 78      | RB70617   | TWISTING MOTOR                   | 142     | RB12643   | CUTTER                  |
| 15      | RB10770   | FEED GEAR A             | 79      | BB40425   | BOLT 3X10                        | 143     | RB12724   | CON-ROD BASE            |
| 16      | FF51715   | HOLLOW PIN 1715         | 80      | FF51817   | HOLLOW PIN 1817                  | 144     | FF51711   | HOLLOW PIN 1711         |
| 17      | FF31559   | PIN 1559                | 81      | RB70684   | MOTOR COVER UNIT                 | 145     | BB40717   | BOLT 3X20 CF            |
| 18      | RB12740   | SHAFT COLLAR            | 82      | EE32104   | WASHER 2-3                       | 146     | RB70682   | ARM B UNIT              |
| 19      | RB12653   | CLUTCH B                | 83      | BB41706   | BOLT 4X10                        | 147     | EE39857   | WASHER 3.2X11X1         |
| 20      | RB12651   | CLUTCH A                | 84      | RB12634   | COVER L(441T)                    | 148     | RB12637   | ARM B                   |
| 21      | RB12652   | FEEDING GEAR SHAFT A    | 85      | BB40310   | HEX BOLT 5X16                    | 149     | EE39858   | WASHER 3.2X7X1          |
| 22      | RB70700   | FEEDING MOTOR BASE UNIT | 86      | CC41104   | HEX.NUT 1-3                      | 150     | RB12645   | CUTTER LEVER A          |
| 23      | RB70627   | FEEDING MOTOR           | 87      | FF51710   | HOLLOW PIN 1710                  | 151     | RB12648   | CUTTER PIN              |
| 24      | JJ10514   | E-RING 3 CF             | 88      | CC49308   | HEX. NUT M4                      | 152     | RB70683   | CUTTER LEVER A UNIT     |
| 25      | RB70625   | FEEDING GEAR B UNIT     | 89      | RB12690   | SPECIFICATION LABEL              | 153     | RB12647   | CUTTER SHAFT            |
| 26      | RB12655   | FEEDING GEAR SHAFT B    | 90      | CC49411   | SPECIAL NUT M5(REPLACES TA15554) | 154     | RB12649   | CON-ROD                 |
| 27      | RB70698   | FEEDING GEAR BASE UNIT  | 91      | FF51714   | HOLLOW PIN 1714                  | 155     | RB12646   | CUTTER LEVER B          |
| 28      | RB12658   | SPRING BASE             | 92      | RB70685   | FRAME L ASSY                     | 156     | JJ10509   | E-RING 4 CF             |
| 29      | BB40824   | BOLT 3X6                | 93      | RB81280   | MAIN CURCUIT BOARD UNIT          | 157     | KK33398   | TORSION SPRING 3398     |
| 30      | RB81283   | FEEDING GEAR BASE ASSY  | 94      | RB12687   | LABEL                            | 158     | RB70621   | ARM B ASSY              |
| 31      | RB12659   | LEAF SPRING             | 95      | ZS00034   | MAIN SWITCH (441)                | 159     | RB12663   | SWITCH BLOCK            |
| 32      | RB70667   | WIRE GUIDE C UNIT       | 96      | RB70626   | POWER CORD ORANGE UNIT           | 160     | KK24191   | COMPRESSION SPRING 4191 |
| 33      | FF41867   | STEP PIN 1867           | 97      | RB70637   | SWITCH BASE ASSY                 | 161     | RB12815   | WINDOW                  |
| 34      | KK29119   | COMPRESSION SPRING 9119 | 98      | RB70697   | ELECTRODE UNIT                   | 162     | RB12080   | TRIGGER (397)           |
| 35      | RB81293   | RELEASE LEVER A ASSY    | 99      | AA05952   | SCREW 2.6X10                     | 163     | KK23656   | COMPRESSION SPRING 3656 |
| 36      | BB41712   | BOLT 4X18 C             | 100     | RB12674   | MAGAZINE CAP                     | 164     | RB12101   | TRIGGER LOCK LEVER(397) |
| 37      | EE11103   | SPRING WASHER 2-4       | 101     | RB70640   | SENSOR CURCUIT BOARD F UNIT      | 165     | RB70623   | SWITCH HARNESS UNIT     |
| 38      | EE39825   | WASHER 4.5X7.4X0.8      | 102     | RB12673   | MAGAZINE STOPPER SHAFT           | 166     | RB12665   | RELEASE BUTTON BASE     |
| 39      | RB12682   | RELEASE LEVER A         | 103     | KK24186   | COMPRESSION SPRING 4186          | 167     | RB12664   | RELEASE STOPPER         |
| 40      | RB12683   | RELEASE LEVER A CAP     | 104     | RB12684   | WIRE OPERATION LABEL             | 168     | RB12662   | RELEASE BUTTON          |
| 41      | FF41869   | STEP PIN 1869           | 105     | JJ21601   | C-RING 8                         | 169     | KK33401   | TORSION SPRING 3401     |
| 42      | FF52117   | HOLLOW PIN 2117         | 106     | FF52116   | HOLLOW PIN 2116                  | 170     | RB12725   | SPONGE                  |
| 43      | CC42512   | HEX NUT 1A M4           | 107     | RB81286   | MAGAZINE UNIT                    | 171     | RB12635   | COVER R(441T)           |
| 44      | FF41868   | STEP PIN 1868           | 108     | RB81294   | MAGAZINE SUB ASSY                | 172     | RB12689   | WARNING LABEL           |
| 45      | RB12657   | RELEASE LEVER B         | 109     | EE39609   | RUBBER WASHER 1.8X6X2            | 173     | RB12661   | BRAND PLATE             |
| 46      | JJ10510   | RETAINING RING 2.3      | 110     | KK34098   | TORSION SPRING 4098              | 174     | BB40708   | BOLT 5X25               |
| 47      | RB12609   | HOOK L                  | 111     | FF43419   | STEP PIN 3419                    | 175     | BB40716   | BOLT 3X6 CF             |
| 48      | RB12613   | CARBIDE PIN 2.5X14.8    | 112     | RB12715   | MAGAZINE PLATE                   | 176     | RB70629   | FRAME R ASSY(441T)      |
| 49      | RB12616   | SLEEVE COVER            | 113     | RB12671   | ROTARY SHAFT                     | 177     | RB70616   | JAW BASE ASSY           |
| 50      | FF21267   | SPRING PIN 2X8          | 114     | RB12672   | MAGAZINE STOPPER                 | 178     | RB12627   | JAW B                   |
| 51      | RB12610   | HOOK R                  | 115     | FF21629   | SPRING PIN 2X14                  | 179     | KK33249   | TORSION SPRING 3249     |
| 52      | RB12614   | SLEEVE A                | 116     | RB81289   | MAGAZINE COVER ASSY              | 180     | RB12625   | JAW BASE                |
| 53      | RB12712   | KEY                     | 117     | RB81284   | MAGAZINE COVER UNIT              | 181     | FF41864   | STEP PIN 1864           |
| 54      | RB12611   | CENTER HOOK             | 118     | AA05560   | SCREW 3X12 CF                    | 182     | RB12626   | JAW A                   |
| 55      | FF31718   | PARALELL PIN 1718       | 119     | HH14169   | O-RING AS 568-003 1A             | 999     | RB81184   | BELT HOOK ASSY          |
| 56      | RB12713   | KEY B                   | 120     | EE39860   | WASHER 5X2.6X1                   |         |           |                         |
| 57      | RB12612   | SLEEVE GUIDE            | 121     | FF51713   | HOLLOW PIN 1713                  |         |           |                         |
| 58      | RB12615   | SLEEVE B                | 122     | RB12706   | NOTICE LABEL                     |         |           |                         |
| 59      | FF21234   | W.S. PIN 3 X 12 CN65055 | 123     | KK34097   | TORSION SPRING 4097              |         |           |                         |
| 60      | RB12617   | CUTTER RING             | 124     | RB12669   | REEL PRESS                       |         |           |                         |
| 61      | RB12618   | CUTTER RING GUIDE       | 125     | FF31639   | PARALELL PIN 1639                |         |           |                         |
| 62      | JJ21606   | C-RING 15               | 126     | RB70641   | SENSOR CURCUIT BOARD G UNIT      |         |           |                         |
| 63      | JJ80901   | C-RING 11               | 127     | AA31724   | SCREW 2X8                        |         |           |                         |
| 64      | RB12714   | BUMPER GUIDE            | 128     | RB12667   | MAGAZINE COVER CAP               |         |           |                         |